

Airacel Evaporative coolers

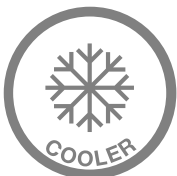
FEATURES

- ❄️ Heavy duty marine grade aluminum cabinet
- ❄️ Low water storage non corrosive water reservoir
- ❄️ Heavy duty centre hung forward curve blowers
- ❄️ Sealed for life shaft bearings
- ❄️ Strong easy grip pad handles
- ❄️ High efficiency long life 75mm Celpad

OPTIONAL EXTRAS

- ❄️ Variable pitch adjustable galvanised roof stand
- ❄️ Mesh pad protection
- ❄️ External metal louvres
- ❄️ Dump valve
- ❄️ Aira GDH and SD heater connectable
- ❄️ Ripstop vinyl weatherproof cover

Variable pitch
adjustable galvanised
roof stand



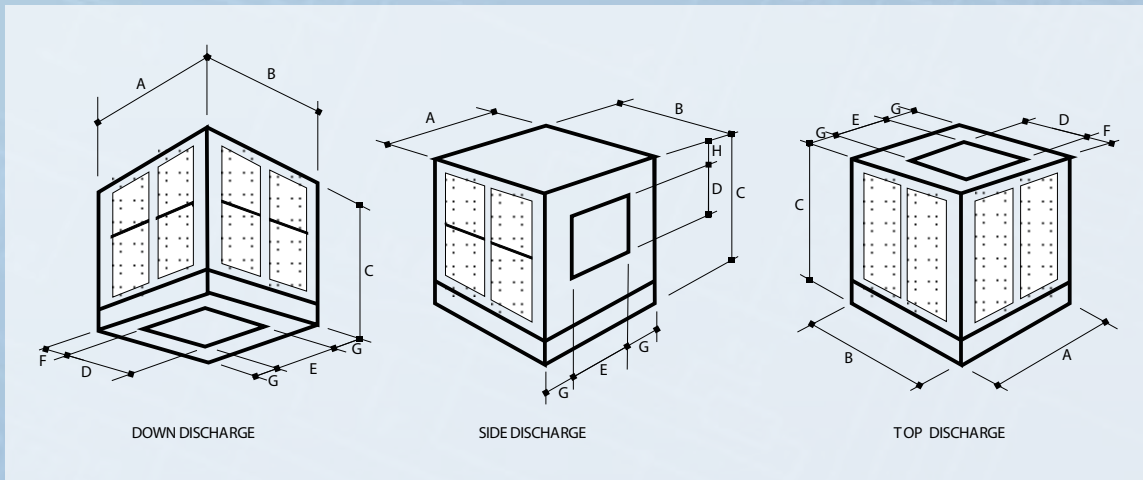
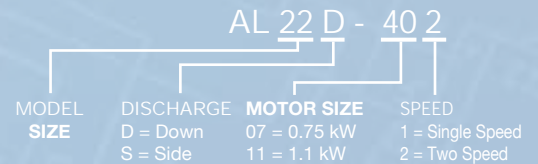
AIRA

03 9839 8000

AL series

Airacel Evaporative coolers

MODEL DESIGNATION



- MOTOR SIZE**
- 07 = 0.75 kW
 - 11 = 1.1 kW
 - 15 = 1.5 kW
 - 22 = 2.2 kW
 - 30 = 3.0 kW
 - 40 = 4.0 kW
 - 55 = 5.5 kW
 - 75 = 7.5 kW
 - 90 = 9.0 kW
 - 105 = 10.5 kW
 - 150 = 15.0 kW
 - 185 = 18.5 kW

- SPEED**
- 1 = Single Speed
 - 2 = Two Speed

DIMENSIONS (mm)

AL MODEL	12		15		18				22				25			30				33		36		36	
MOTOR (Kw)	07	07	11	11	15	22	30	15	22	30	40	30	40	55	40	55	75	110	75	110	110	150	185		
A	990	990			990				1208				1550				1890		2115	2115		2230			
B	990	990			990				1208				1550				1550		1890	1890		2240			
C	825	825			1165				1340				1480				1830		2135	2135		2135			
D	345	470			500				690				795				920		1090	1090		1090			
E	400	470			545				690				795				920		1015	1090		1090			
F	135	150			135				130				195				195		200	200		200			
G	295	260			222				259				377				483		550	512		570			
H	45	45			270				160				160				200		395	395		395			

AIR QUANTITY (l/s high speed)

Free Air	-	2300	-	3440	4020	-	-	4580	5590	-	-	7930	8930	-	11520	12840	-	-	17060	-	-	23100	-
50 Pa	1640	1980	2490	3060	3690	4200	-	4320	5200	5750	-	7170	8600	-	10660	12120	13740	-	16400	18800	19200	22400	-
* 100 Pa	1550	1720	2280	2880	3260	4010	-	4050	5090	5500	-	6650	8050	9350	10140	11470	13220	-	15700	17900	18300	21800	23100
* 150 Pa	1450	1570	2130	2640	2910	3780	4250	3690	4720	5240	6060	6140	7500	8820	9670	10910	12480	13520	15100	17200	17800	20200	21900
* 200 Pa	1350	1480	2010	2360	2650	3540	4010	3380	4480	4950	5830	5860	6940	8400	9180	10250	11890	12890	14700	16500	17100	19700	20700
* 250 Pa	1230	1320	1860	2170	2480	3390	3960	2860	4280	4720	5720	5520	6330	8260	8890	9580	11230	12100	14400	15900	16400	19200	20300

BLOWER (FAN) MOTOR

TYPE	DP	DP	DP	DP	DP	TEFC	TEFC	DP	TEFC	TEFC	TEFC	TEFC	TEFC	TEFC	TEFC	TEFC	TEFC	TEFC	TEFC	TEFC	TEFC	TEFC	TEFC
POWER(Kw)	.75	.75	1.1	1.1	1.5	2.2	3.0	1.5	2.2	3.0	4.0	3.0	4.0	5.5	4.0	5.5	7.5	11.0	7.5	11.0	11.0	15.0	18.5
VOLTAGE	240	240	240	240	240	415	415	240	415	415	415	415	415	415	415	415	415	415	415	415	415	415	415
FL AMPS	5.2	5.2	6.0	6.0	8.5	4.8	6.9	8.5	4.8	6.9	7.8	6.9	7.8	11.0	7.8	11.0	14.0	20.0	14.0	20.0	20.0	28.0	35.0

WEIGHT (kg)

DRY	68	72	78	113	115	118	124	160	165	171	176	243	248	274	274	300	305	328	375	400	410	425	460
OPERATING	85	92	98	133	135	138	144	185	190	196	201	273	278	304	299	325	330	353	400	430	440	455	490

Specifications subject to change without notice

AIRA PTY. LTD.
ABN 38 005 058 364

Head Office - Victoria
144 Colchester Rd
Bayswater North VIC 3153
Tel: 61 3 9728 5566
Fax: 61 3 9761 4732
www.aira.com.au
aira@aira.com.au

Queensland
Ecohvac
Unit 1/5 Westerway St
Slacks Creek Qld 4127
Tel: (07) 3808 9400
Fax: (07) 3808 6955
sales@ecohvac.com.au

New South Wales
Ecohvac
Suite 1.10 46-50 Kent Rd
Mascot NSW 2020
Tel: (02) 9669 4500
Fax: (02) 9669 4700
sales@ecohvac.com.au

South Australia/ NT
Industrial Air
Unit 2 100-104 Haywood Ave
Torrensville SA 5031
Tel: (08) 8354 0088
Fax: (08) 8352 4919
sales@industrialair.com.au

Western Australia
A-West
Unit 15 52 Kent Street
Cannington WA 6107
Tel: (08) 9258 5670
Fax: (08) 9258 5671
info@awestdistributors.com.au