



LUNA3 COMFORT HT

GAS WALL HUNG
CONDENSING BOILERS





FEATURES

- Fully digital, removable control panel with LCD display allows easy adjustment of heating and domestic hot water
- Electronic ignition
- Premixing Burner
- Regulation of water temperature in heating circuit 20/80°C
- Pump run on timer
- Pressure gauge to check system pressure
- Flowmeter with turbines for a perfect modulation of domestic hot water temperature
- Pre-heat function on domestic hot water maintains desired temperatures automatically for 60 minutes after last demand
- Stainless steel burner & DHW heat exchanger (HT 330)
- Circulating pump with built in air vent
- Radio interference filtering system
- Anti-frost device on heating circuit
- Outdoor compensation option
- Electronic 3 way valve for Domestic hot water changeover
- Easy connection with solar boosted domestic hot water system
- Easy to clean-domestic water filter

Baxi and Hydroheat Supplies are proud to introduce our domestic high efficiency wall mounted condensing boiler range, combining leading edge technology, high efficiency and low CO2 emissions. The modulating fan ensures constant high efficiency throughout the modulating range 5.6kW - 34kW. The Luna 3 Comfort HT range is suitable for indoor and outdoor installation, approved for Natural gas and Propane.

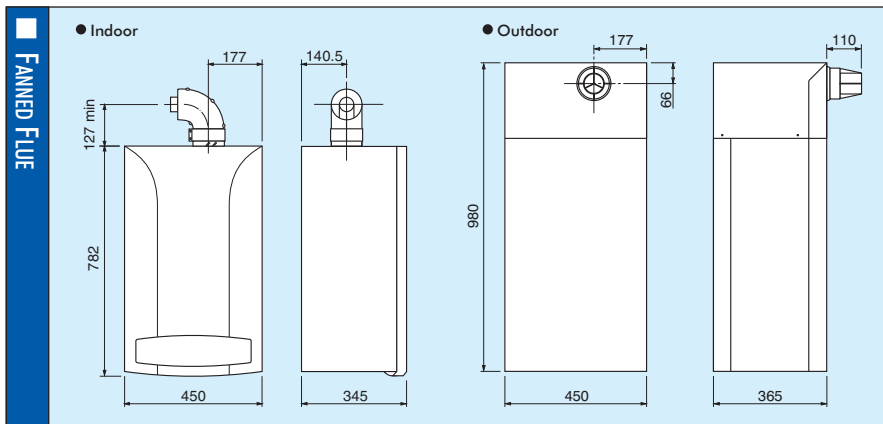
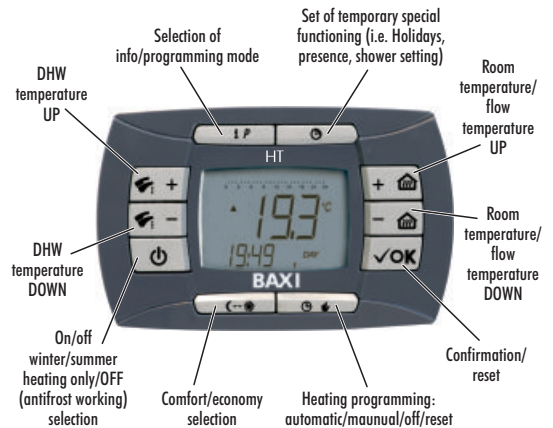


SAFETY DEVICES

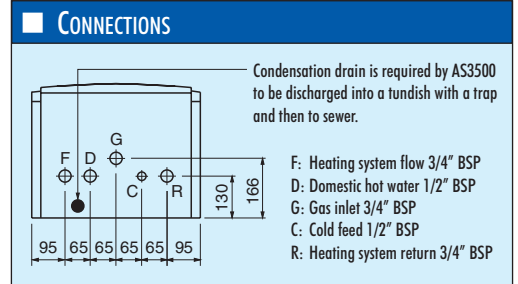
- Electronic temperature control by NTC probes
- Self check automatic control system
- Overheat limit thermostat
- Gas control electronic panel
- Pressure relief valve on heating system operating at 300kPa
- Hydraulic pressure switch to prevent boiler operating in the event of low water
- Differential fan pressure switch to ensure safe discharge of flue products
- System to prevent 3 way valve and pump sticking operating every 24 hours
- Automatic by-pass

Now comfort right at your fingertips!

Luna 3 Comfort HT, the new Baxi range of wall hung boilers, has been developed with an innovative removable control panel included with the boiler and enables programming of the heating system, domestic hot water adjustment and full boiler diagnostics.



TECHNICAL DATA	HEATING ONLY		COMBINATION HEATING & DHW	
	HT 1.280	HT 330	HT 1.280	HT 330
	Indoor/Outdoor	Indoor/Outdoor	Indoor/Outdoor	Indoor/Outdoor
Nominal Gas Consumption (NG / LPG)	MJ/h 103 / 116	MJ/h 111 / 136	MJ/h 103 / 116	MJ/h 111 / 136
Turn Down Gas Consumption (NG / LPG)	MJ/h 29 / 28	MJ/h 29 / 28	MJ/h 29 / 28	MJ/h 29 / 28
Rated heat output 80°C (NG / LPG)	kW 26.5 / 28	kW 26.5 / 28	kW 26.5 / 28	kW 26.5 / 28
Rated heat output 50°C (NG / LPG)	kW 28.5 / 30.3	kW 28.5 / 30.3	kW 28.5 / 30.3	kW 28.5 / 30.3
Rated heat output DHW (NG / LPG)	kW -	kW 28 / 34	kW -	kW 28 / 34
Reduced heat output	kW 5.6	kW 5.6	kW 5.6	kW 5.6
Thermal efficiency @ 80°C / 50°C	% 90 / 96	% 90 / 96	% 90 / 96	% 90 / 96
Central heating system max. pressure	kPa 300	kPa 300	kPa 300	kPa 300
Expansion tank capacity	ltr 10.0	ltr 10.0	ltr 10.0	ltr 10.0
Heating circuit temperature range	°C 20-80	°C 20-80	°C 20-80	°C 20-80
Co-axial flue diameter	mm 60/100	mm 60/100	mm 60/100	mm 60/100
Two pipe flue / air duct	mm 80/80	mm 80/80	mm 80/80	mm 80/80
Max flue temperature	°C 75	°C 75	°C 75	°C 75
Type of gas used	- NG / Propane	- NG / Propane	- NG / Propane	- NG / Propane
Input pressure NG / LPG	kPa 1.13 / 2.75	kPa 1.13 / 2.75	kPa 1.13 / 2.75	kPa 1.13 / 2.75
Power supply voltage / frequency	V 240 / 50Hz	V 240 / 50Hz	V 240 / 50Hz	V 240 / 50Hz
Rated power consumption	W 155	W 160	W 155	W 160
Net weight indoor/outdoor	kg 46 / 48	kg 46.5 / 48.5	kg 46 / 48	kg 46.5 / 48.5
Domestic Hot Water Production ΔT 25°C	l/min -	l/min 15 (NG) / 18.9 (LPG)	l/min -	l/min 15 (NG) / 18.9 (LPG)
Minimum Capacity DHW flow rate	l/min -	l/min 2.2	l/min -	l/min 2.2
Minimum Pressure on DHW system	kPa -	kPa 20	kPa -	kPa 20
Maximum Pressure on DHW system	kPa -	kPa 800	kPa -	kPa 800



Due to our constant endeavour for improvement, we reserve the right to change product specification without notice. **Please note:** Commissioning should be carried out by a Hydroheat Supplies P/L trained person. The appliance requires a combustion test and adjustment using a combustion analyser.



HYDROHEAT SUPPLIES PTY LTD
 P.O. BOX 1045
 6 Helen Kob Drive
 BRAESIDE, VICTORIA, 3195
 Ph 03 9588 1299 Fax 03 9588 2199
<http://www.hydroheat.com.au>

Distributed by: